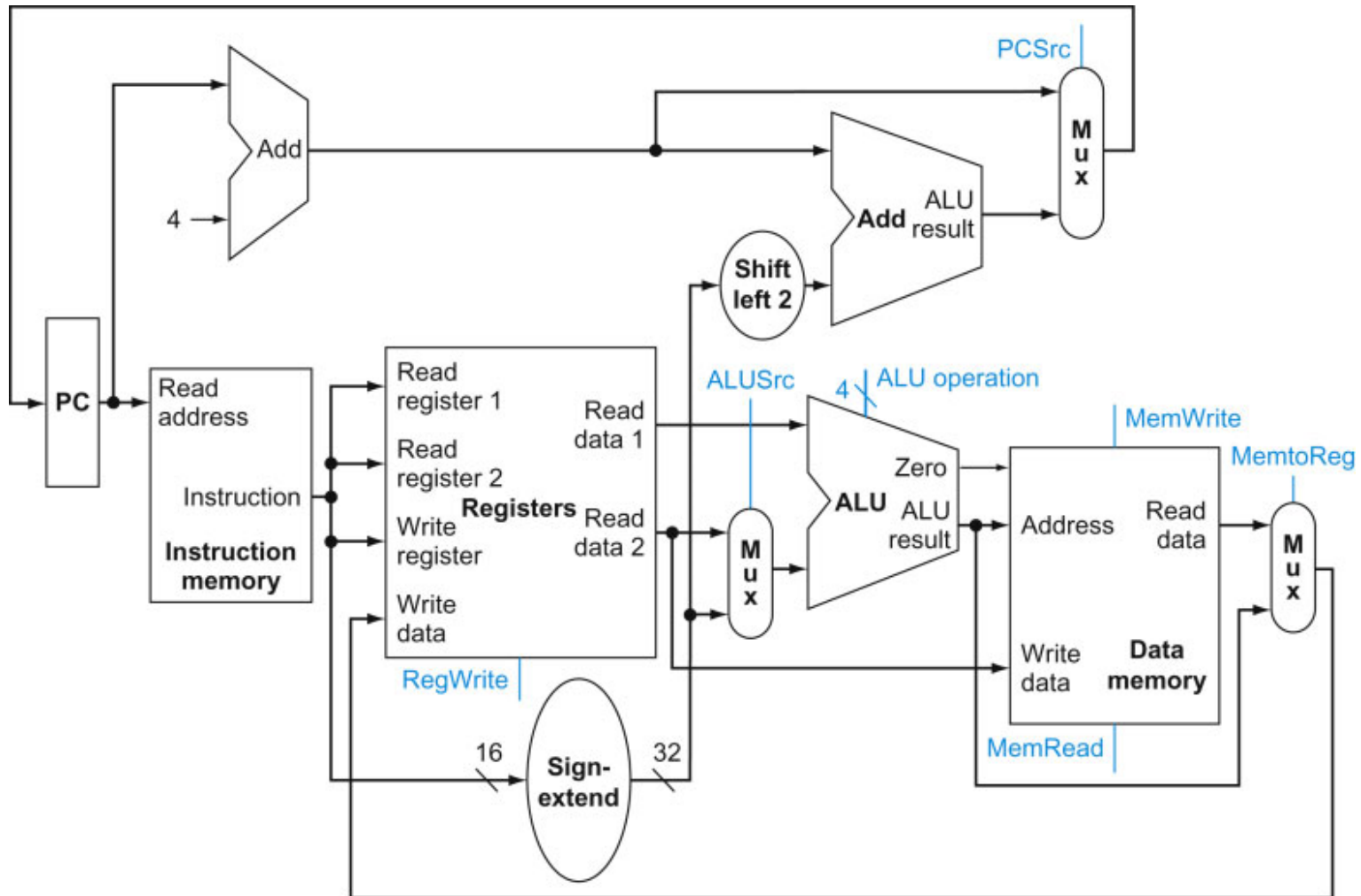


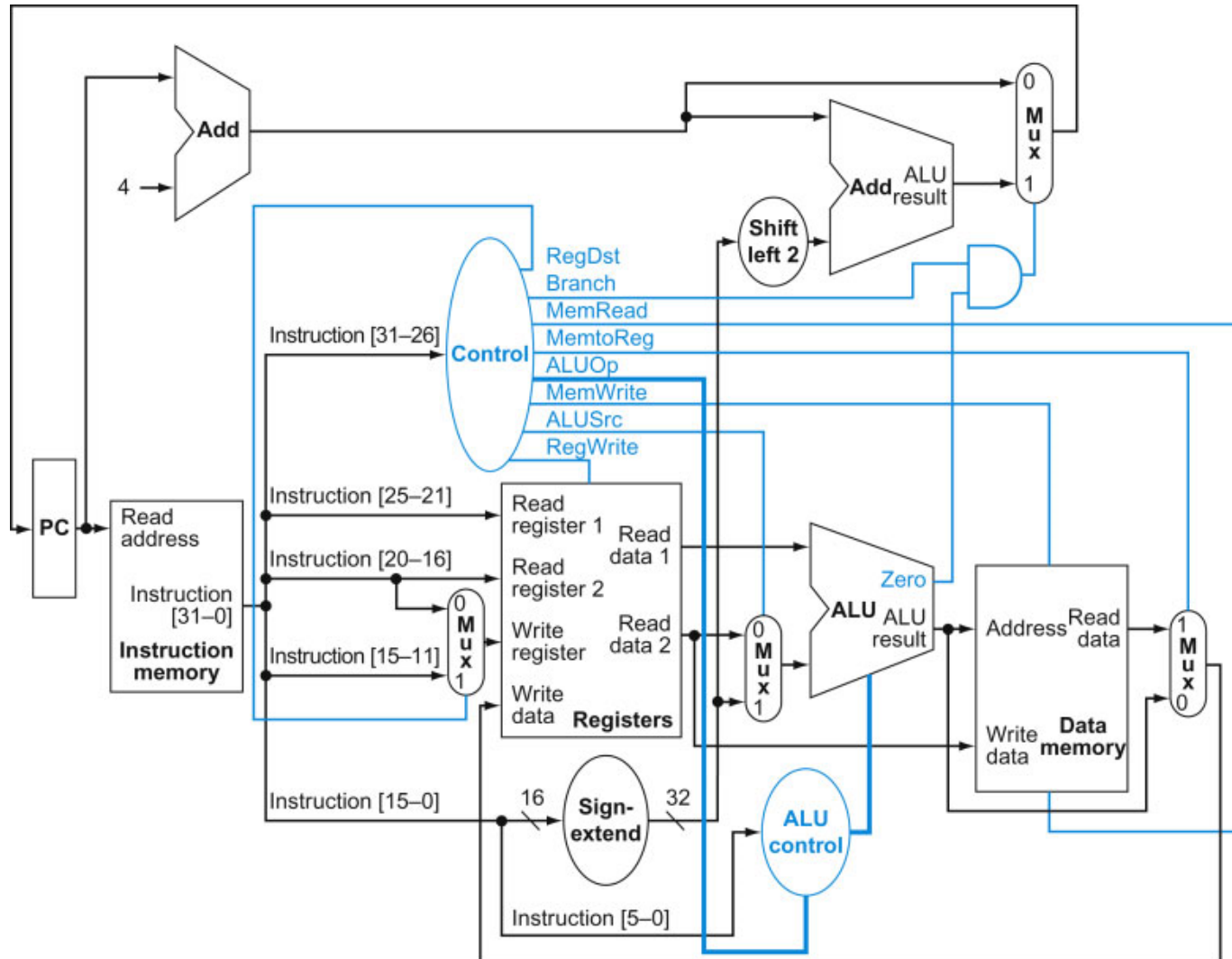
Lecture 16: Basic Pipelining

- Today's topics:
 - 1-stage design
 - 5-stage design
 - 5-stage pipeline
 - Hazards

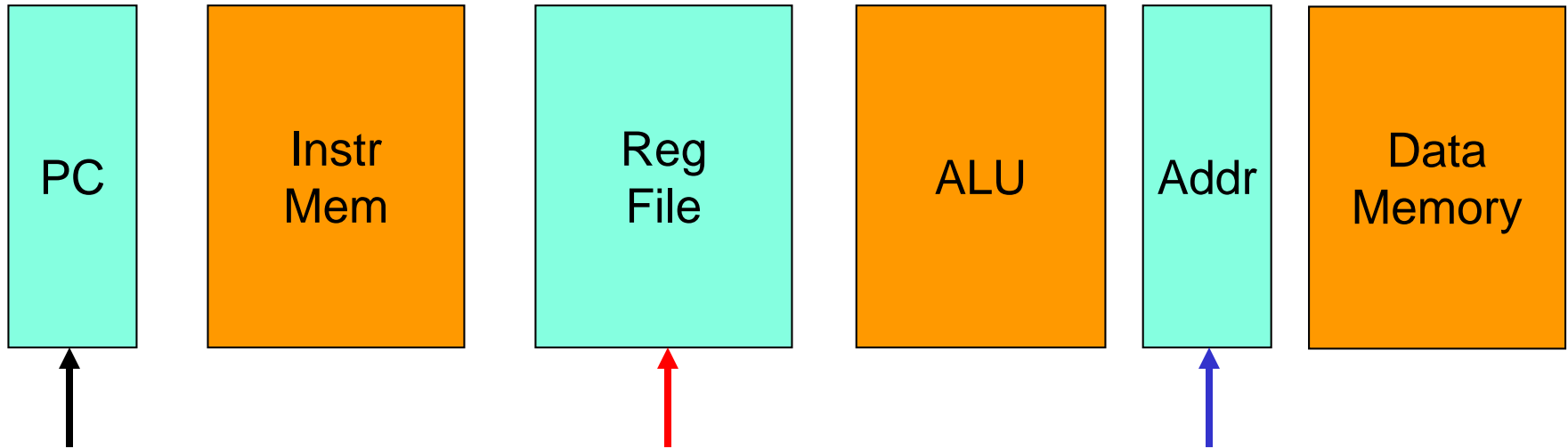
View from 10,000 Feet






View from 5,000 Feet



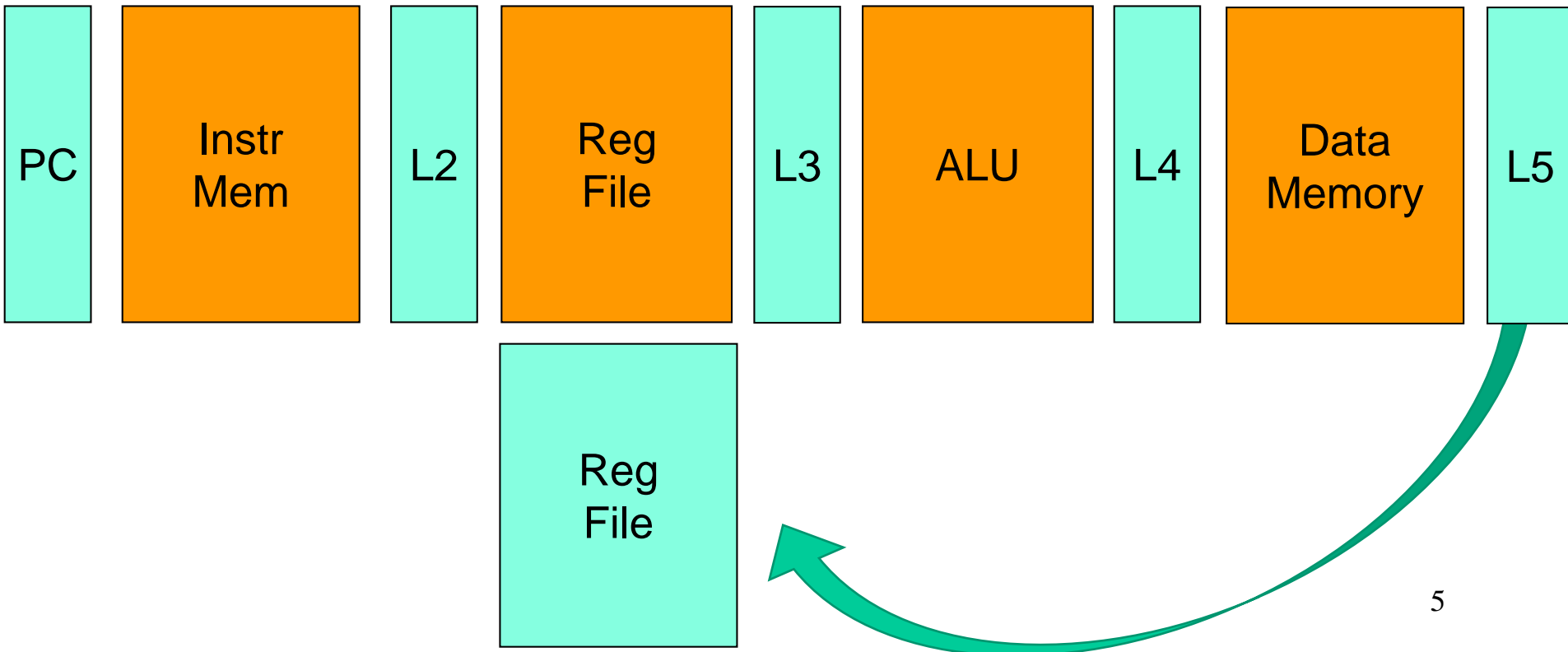
Latches and Clocks in a Single-Cycle Design



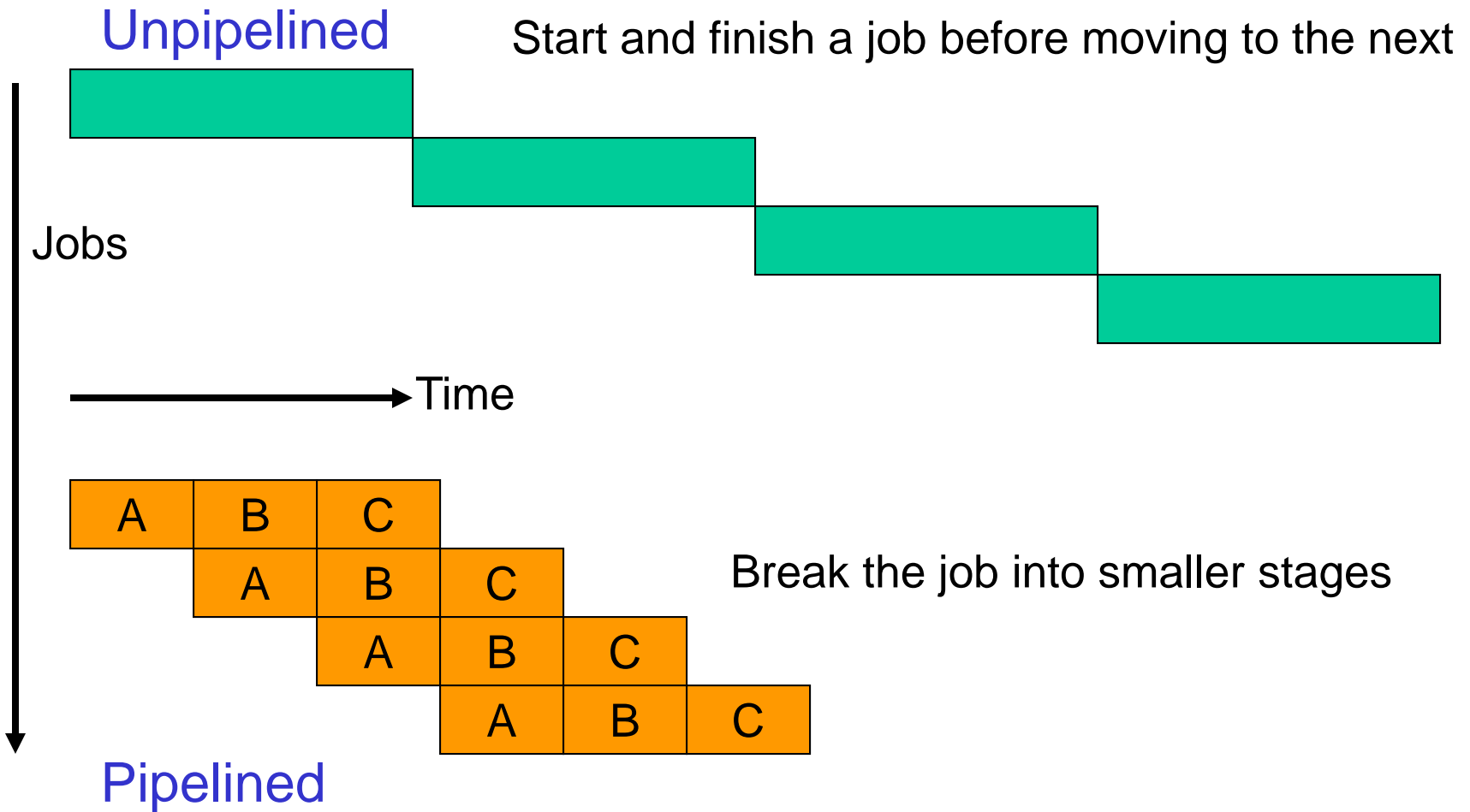
- The entire instruction executes in a single cycle
- Green blocks are latches
- At the rising edge, a new PC is recorded 
- At the rising edge, the result of the previous cycle is recorded 
- At the falling edge, the address of LW/SW is recorded so  we can access the data memory in the 2nd half of the cycle

Multi-Stage Circuit

- Instead of executing the entire instruction in a single cycle (a single stage), let's break up the execution into multiple stages, each separated by a latch



The Assembly Line



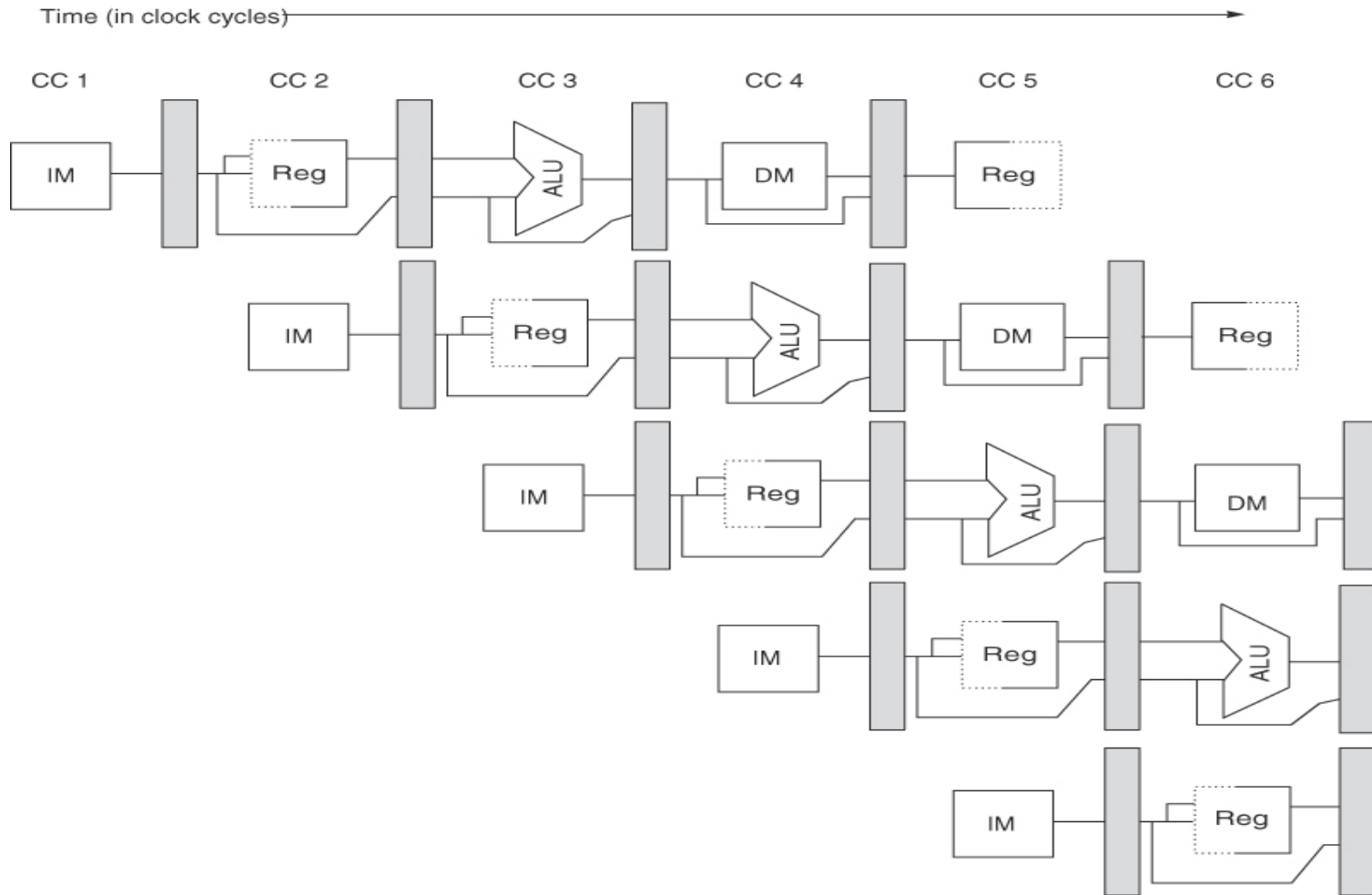
Performance Improvements?

- Does it take longer to finish each individual job?
- Does it take shorter to finish a series of jobs?
- What assumptions were made while answering these questions?
- Is a 10-stage pipeline better than a 5-stage pipeline?

Quantitative Effects

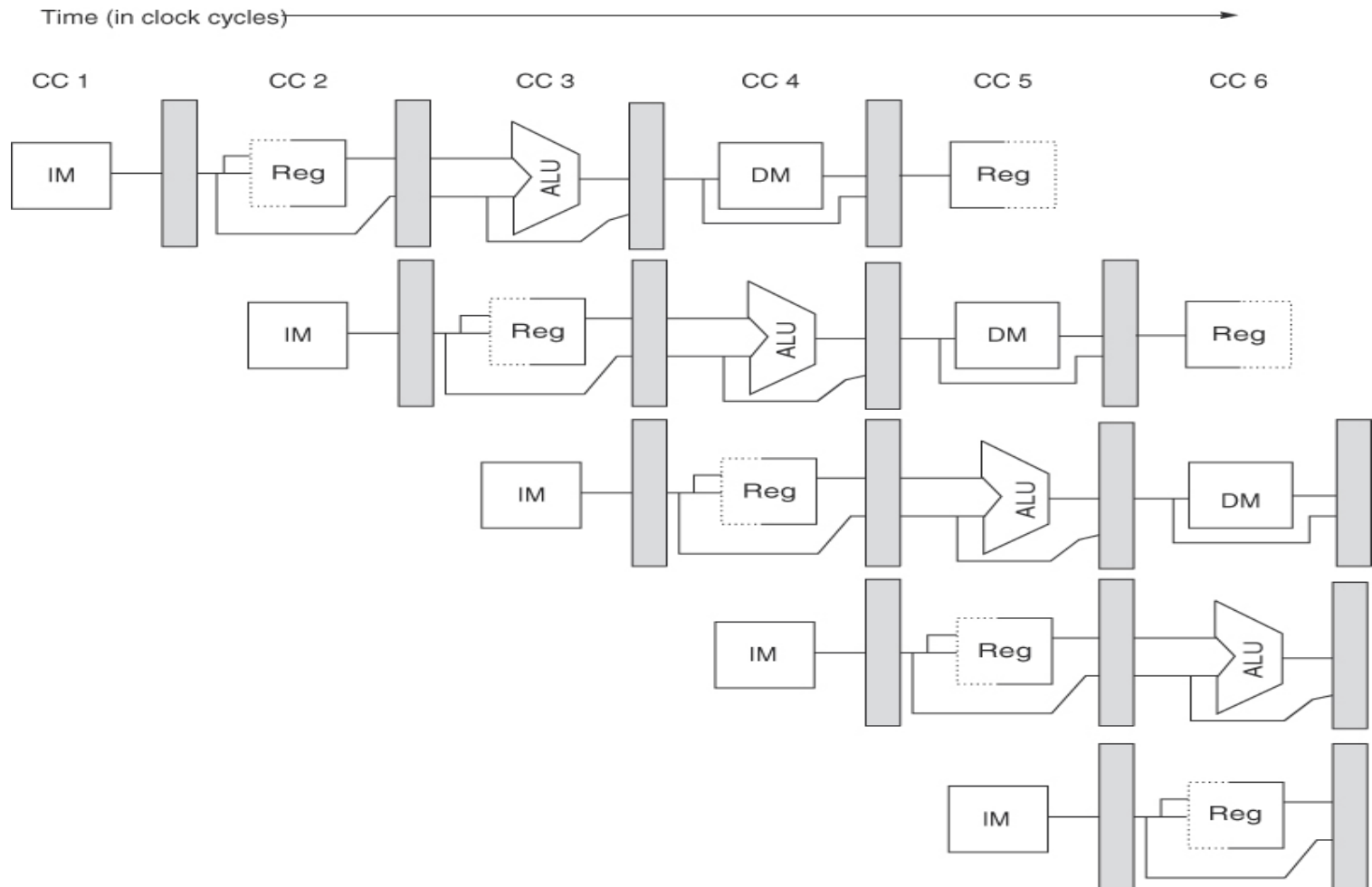
- As a result of pipelining:
 - Time in ns per instruction goes up
 - Each instruction takes more cycles to execute
 - But... average CPI remains roughly the same
 - Clock speed goes up
 - Total execution time goes down, resulting in lower average time per instruction
 - Under ideal conditions, speedup
 - = ratio of *elapsed times between successive instruction completions*
 - = number of pipeline stages = increase in clock speed

A 5-Stage Pipeline



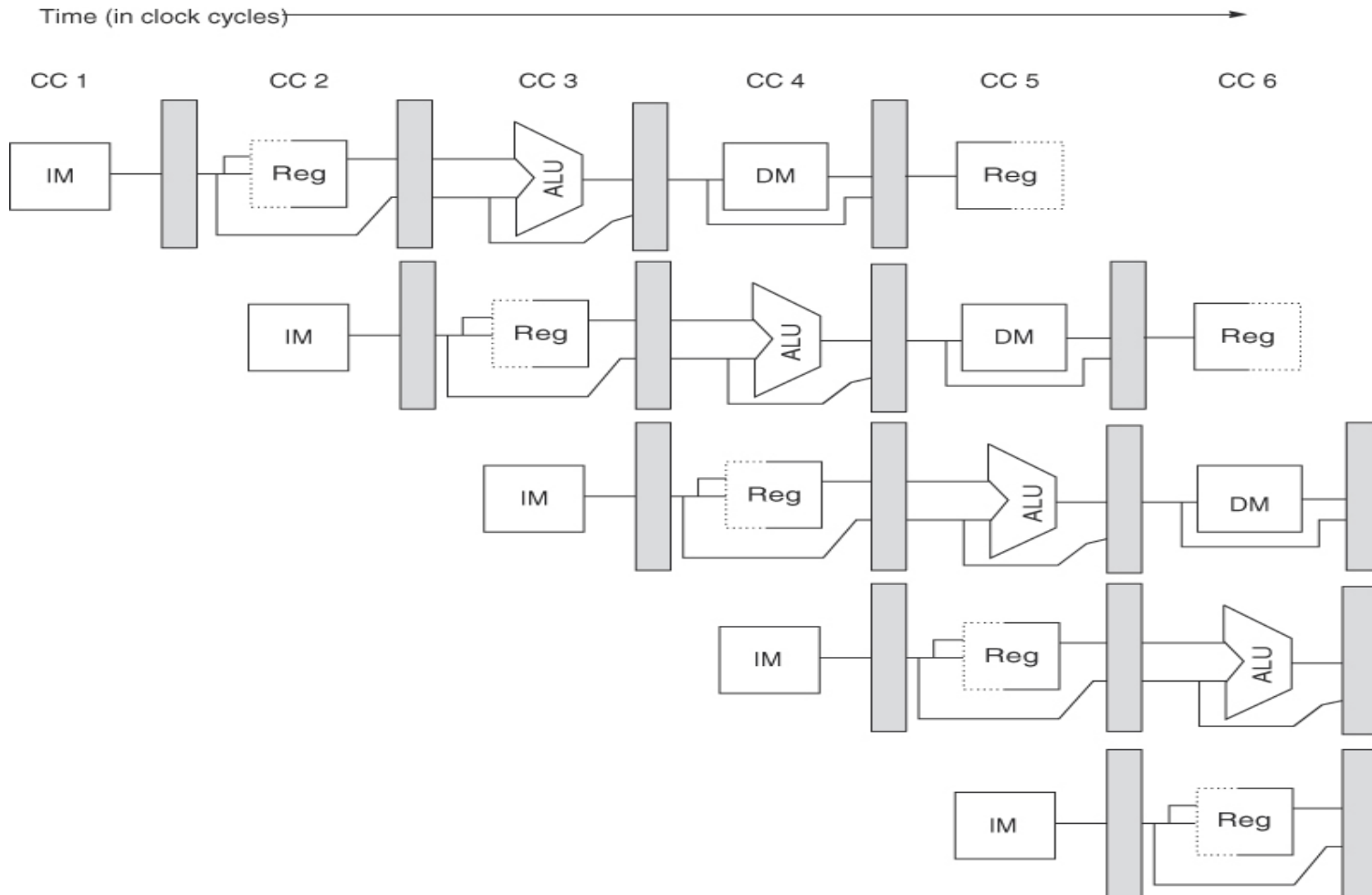
A 5-Stage Pipeline

Use the PC to access the I-cache and increment PC by 4



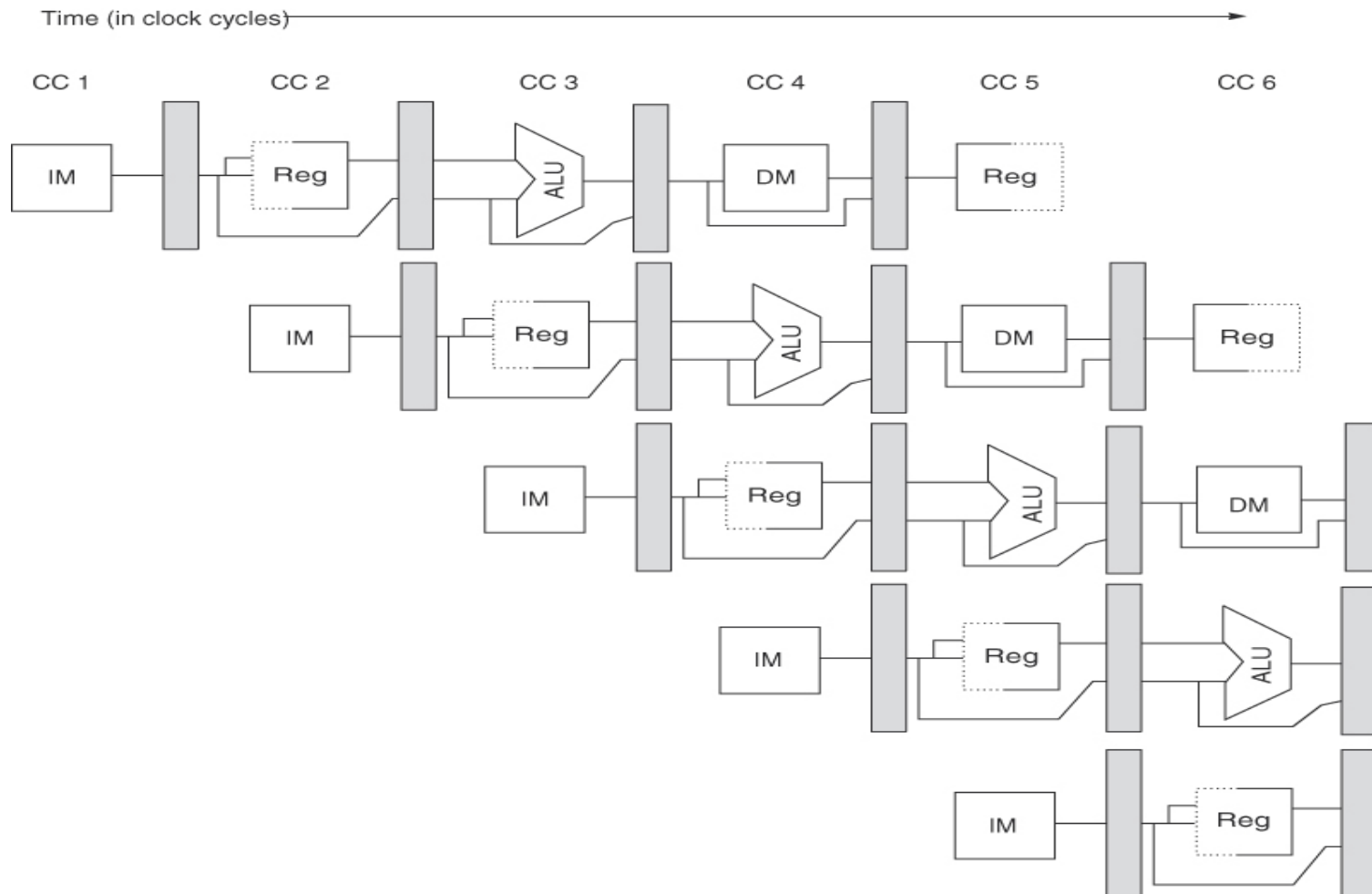
A 5-Stage Pipeline

Read registers, compare registers, compute branch target; for now, assume branches take 2 cyc (there is enough work that branches can easily take more)



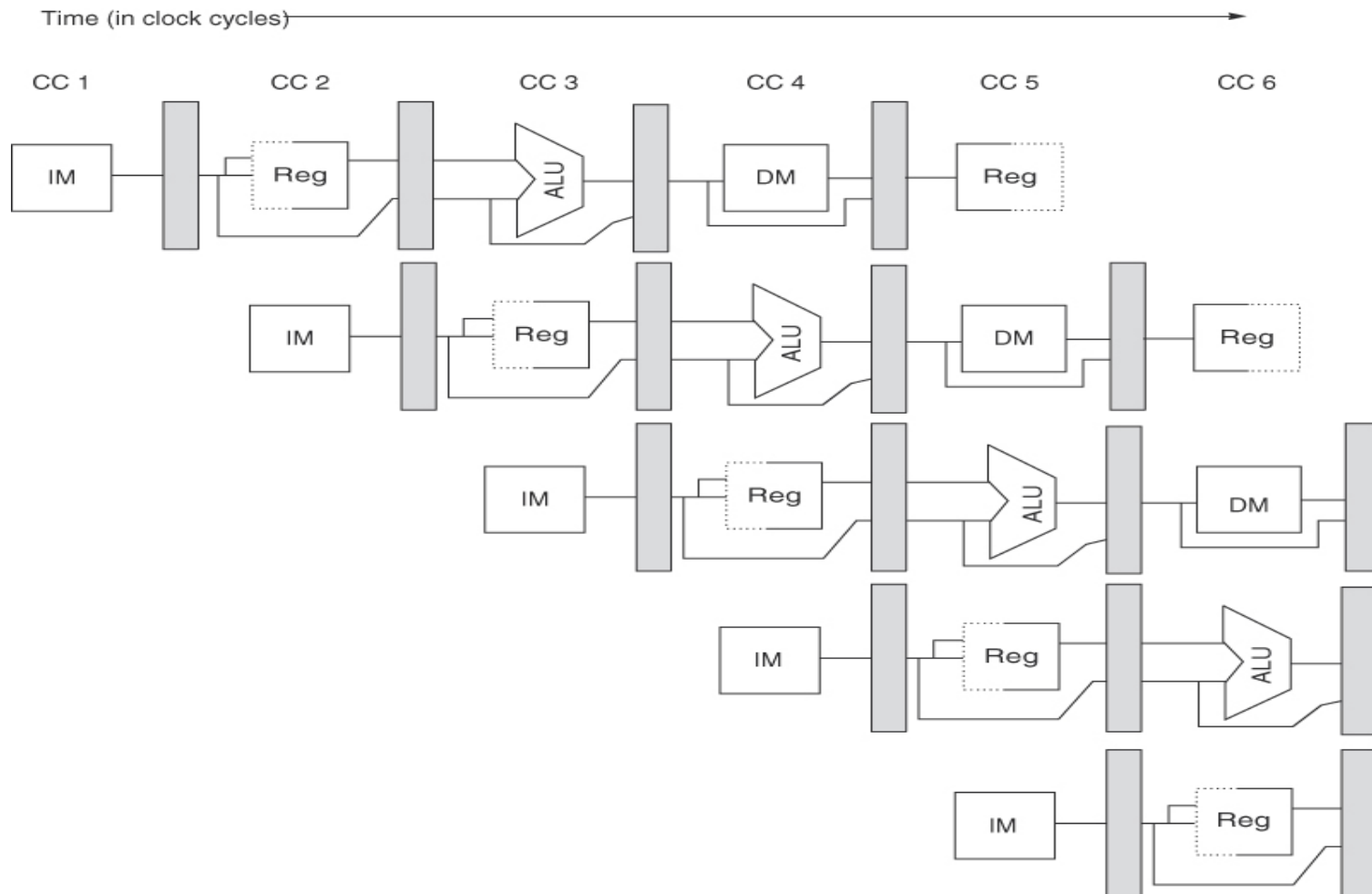
A 5-Stage Pipeline

ALU computation, effective address computation for load/store



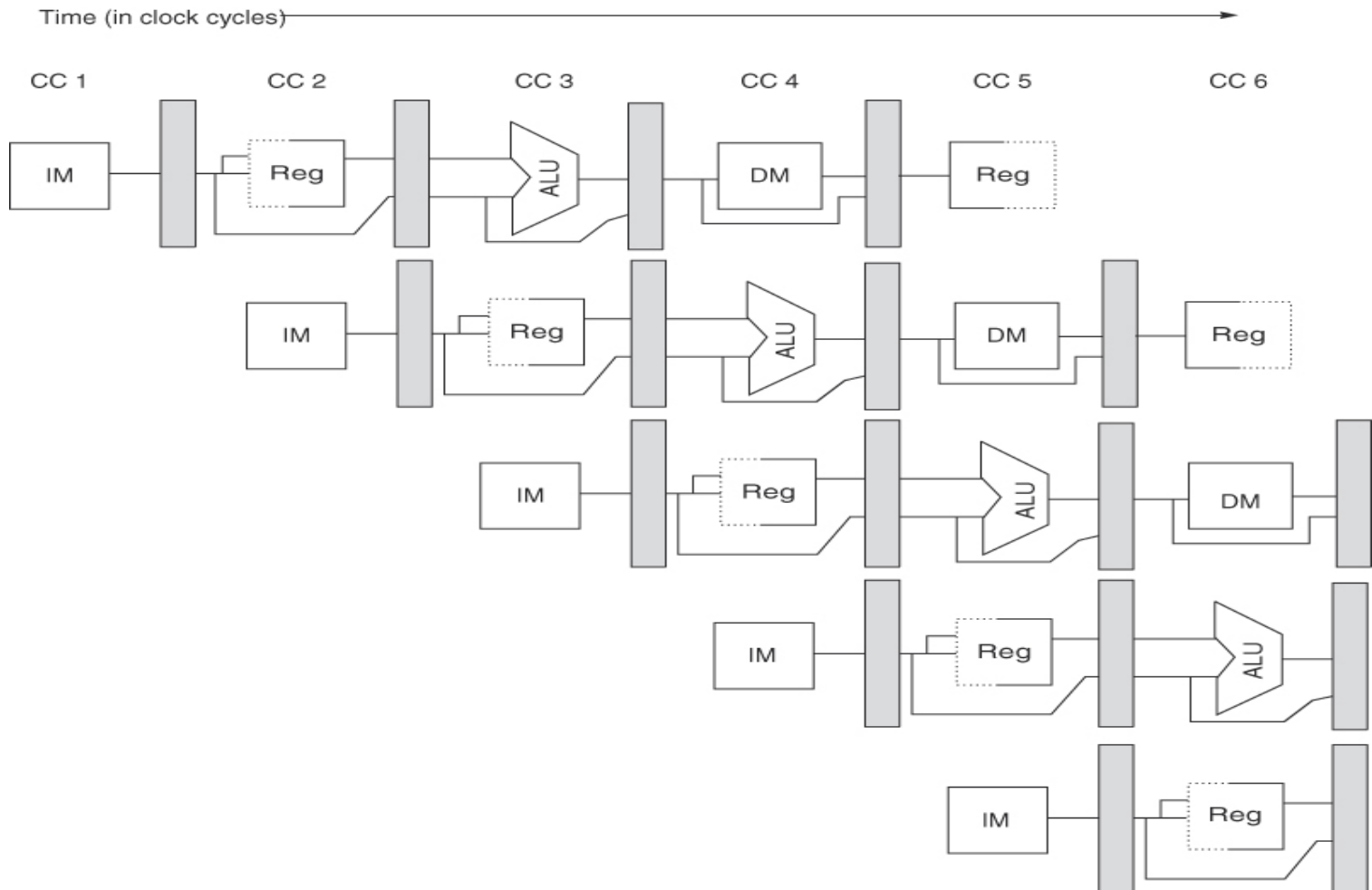
A 5-Stage Pipeline

Memory access to/from data cache, stores finish in 4 cycles



A 5-Stage Pipeline

Write result of ALU computation or load into register file



Pipeline Summary

	RR	ALU	DM	RW
ADD R1, R2, → R3	Rd R1,R2	R1+R2	--	Wr R3
BEQ R1, R2, 100	Rd R1, R2	--	--	--
	Compare, Set PC			
LD 8[R3] → R6	Rd R3	R3+8	Get data	Wr R6
ST 8[R3] ← R6	Rd R3,R6	R3+8	Wr data	--

Conflicts/Problems

- I-cache and D-cache are accessed in the same cycle – it helps to implement them separately
- Registers are read and written in the same cycle – easy to deal with if register read/write time equals cycle time/2
- Branch target changes only at the end of the second stage -- what do you do in the meantime?

Hazards

- Structural hazards: different instructions in different stages (or the same stage) conflicting for the same resource
- Data hazards: an instruction cannot continue because it needs a value that has not yet been generated by an earlier instruction
- Control hazard: fetch cannot continue because it does not know the outcome of an earlier branch – special case of a data hazard – separate category because they are treated in different ways

Title

- Bullet